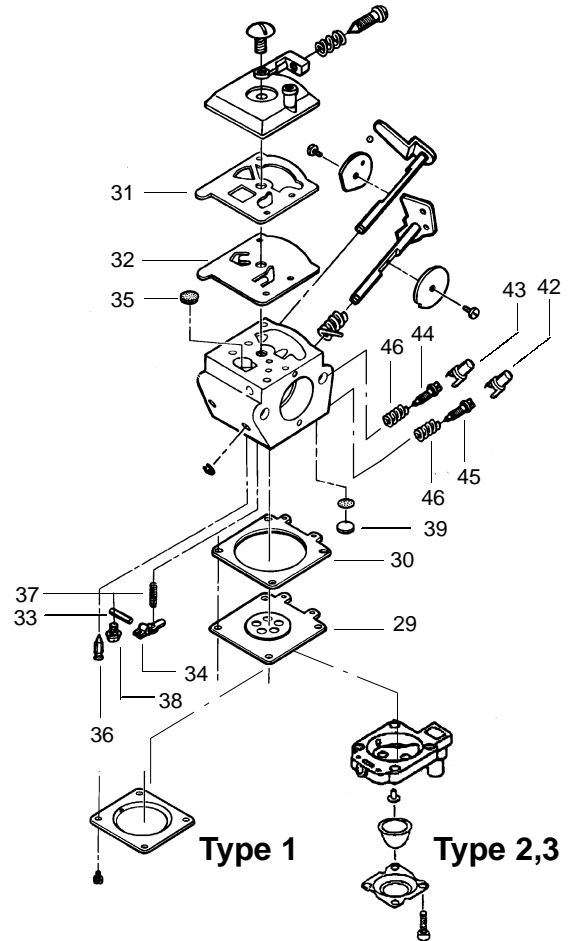


Type 1 -Carburetor Number
#530035306 - WT-221

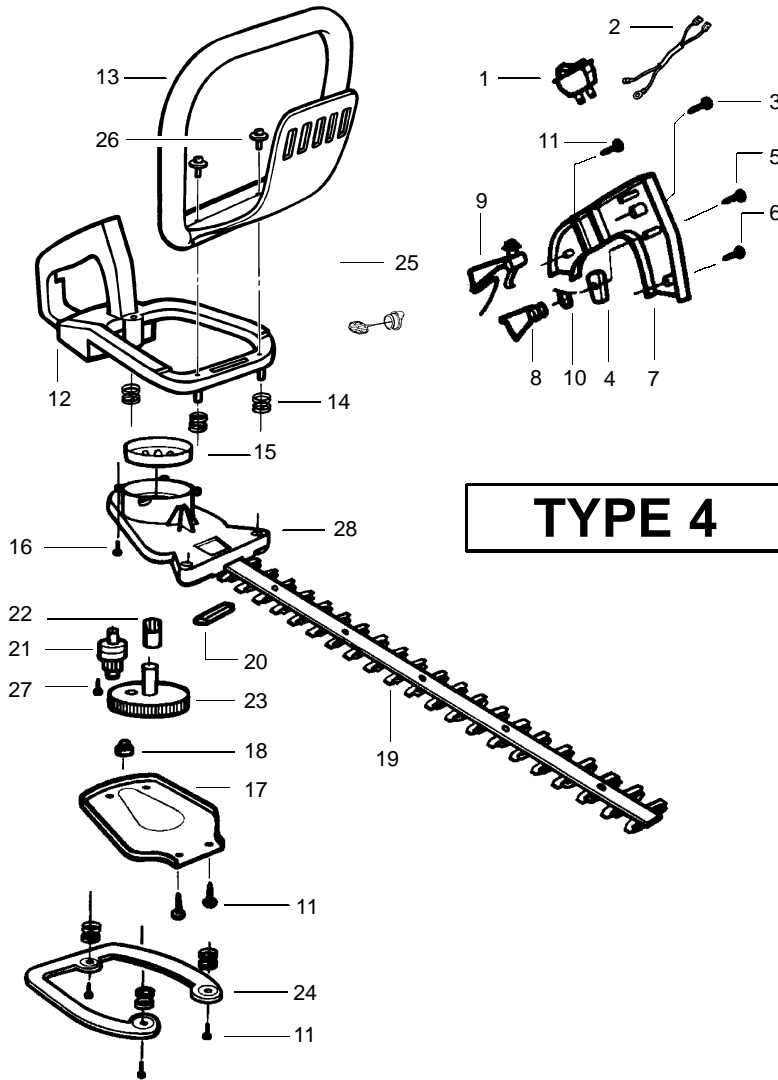
Type 2,3 -Carburetor Number
#530069682 - WT-379



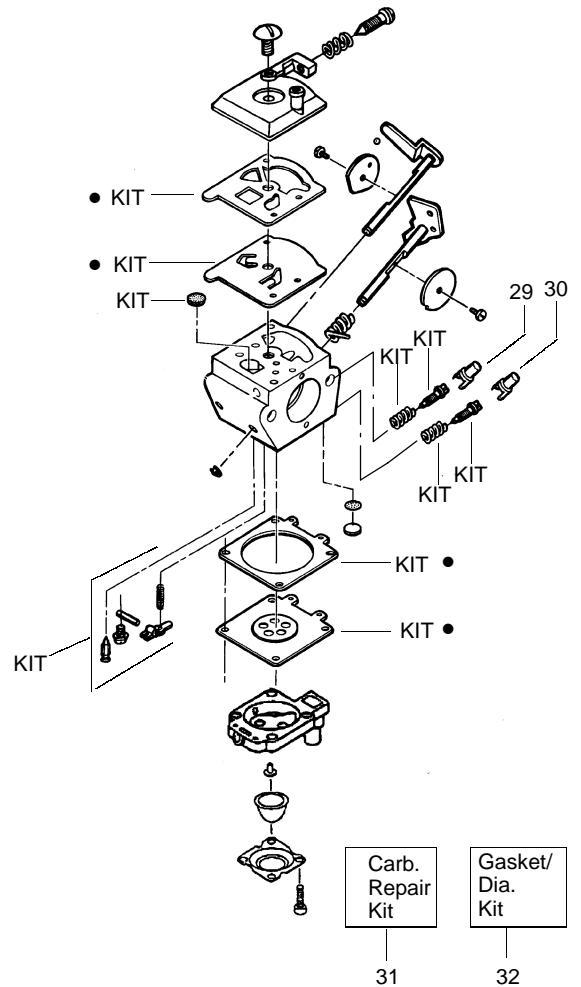
Ref.	Part No.	Description	Ref.	Part No.	Description	Ref.	Part No.	Description
1.	530029954	Ignition Switch	26.	530015955	Screw	41.	-	Carb. Repair Kit
2.	530054133	Lead Wire/Switch Assy	27.	530015805	Screw		530035312	Type 1
3.	530015775	Screw	28.	530014399	Gear Box Ass'y. (Incl. 21, 22 & 27)		-	(Incl. 33-40)
4.	530029958	Trigger Lever	TYPE 1 ONLY (INCL. 29-40)				-	Type 2,3
5.	530015940	Screw	29.	530035014	Metering Diaphragm		530069656	(Incl. 33-40, 42-46 &
6.	530015770	Screw	30.	530035320	Metering Diaphragm Gasket		530069867	Primer Bulb)
7.	530038305	Handle Cover	31.	530035164	Fuel Pump Gasket			Walbro
8.	530053884	Throttle Trigger	32.	530035166	Fuel Pump Diaphragm			Zama
9.	530053900	Throttle Lockout	33.	530035028	Metering Pin	TYPE 2,3 ONLY (INCL. 42 & 43)		
10.	530036123	Trigger Spring	34.	530035031	Metering Lever	42.	530049128	Limiter Cap-High
11.	530015934	Screw	35.	530035178	Fuel Inlet Screen	43.	530049129	Limiter Cap-Low
12.	530047879	Rear Handle/Tank Ass'y.	36.	530035106	Inlet Needle Valve	44.	-	Needle-High
13.	530094992	Front Handle	37.	530035139	Metering Lever Spring		530035407	Walbro
14.	530029946	Screw	38.	530035236	Metering Lever Pin Screw		530035443	Zama
15.	530048113	Clutch & Drum Ass'y.	39.	530035162	Welch Plug	45.	-	Needle-Low
16.	530015814	Gear Bearing	40.	-	Gasket/Diaphragm Kit (Incl. 29-32)		530035408	Walbro
17.	530029916	Blade Seal		530035313	Walbro		530035444	Zama
18.	530032121	Pinion Ass'y.		530069866	Zama	46.	-	Needle Spring
19.	530403229	Bushing Blade					530035293	Walbro
20.	530029948	Blade Ass'y.					530035445	Zama
21.	530036228	Blade Ass'y.						
22.	530016013	Drive Gear Ass'y.						
23.	530069355	Isolator Plate						
24.	530036046	Fuel Cap Ass'y.						
25.	530036965							

✓ = NEW PART NUMBER FOR THIS IPL

★ = REFER TO THE SERVICE REFERENCE INDICATED FOR MORE INFORMATION. (LOCATED AT END OF IPL)



Carburetor Number #530069682 C1U-W4



Ref.	Part No.	Description	Ref.	Part No.	Description
1.	530029954	Ignition Switch	18.	530032121	Bushing Blade
2.	530054133	Lead Wire/Switch Assy	19.	530403229	Blade Ass'y.
3.	530015775	Screw	20.	530029948	Blade Seal
4.	530029958	Trigger Lever	21.	530036228	Pinion Ass'y.
5.	530015940	Screw	22.	530016013	Gear Bearing
6.	530015770	Screw	23.	530069355	Drive Gear Ass'y.
7.	530038305	Handle Cover	24.	530036046	Isolator Plate
8.	530053884	Throttle Trigger	25.	530047877	Fuel Cap Ass'y.
9.	530053900	Throttle Lockout	26.	530015955	Screw
10.	530036123	Trigger Spring	27.	530015805	Screw
11.	530015934	Screw	28.	530014399	Gear Box Ass'y. (Incl. 21, 22 & 27)
12.	530047879	Rear Handle/Tank Ass'y.	29.	530049128	Cap-Limiter High
13.	530094992	Front Handle	30.	530049129	Cap-Limiter-Low
14.	530029946	Spring	31.	530069867	Carburetor Repair Kit (KIT=Contents)
15.	530056069	Clutch & Drum Ass'y.	32.	530069866	Gasket Diaphragm Kit (• = Contents)
16.	530015886	Screw			
17.	530029916	Gear Box Plate			

✓ = NEW PART NUMBER FOR THIS IPL

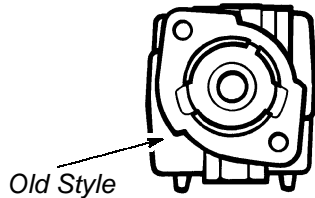
★ = REFER TO THE SERVICE REFERENCE INDICATED FOR MORE INFORMATION. (LOCATED AT END OF IPL)



SERVICE REFERENCE #1

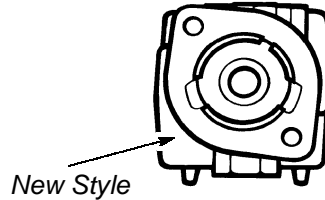
1. Crankcase/Cylinder Assemblies - page 1

When replacing the Cylinder, Crankcase, or Gasket refer to the illustrations below and order accordingly.



Old Style

Key No. 10 #530069406 Crankcase/Cylinder Kit
& Key No. 41
Key No. 56 #530014395-C'case & C'shaft Ass'y.
Key No. 57 #530069351-Gasket Kit



New Style

Key No. 10 #530014861-Crankcase Ass'y.
Key No. 41 - Cylinder
#530069405 Type 1
#530069614 Type 2,3
Key No. 56 #530014973-C'case & C'shaft Ass'y.
Key No. 57 - Gasket Kit
#530069407 Type 1
#530069616 Type 2,3

#530069617-Crankcase/Cylinder Kit
(Incl. Ref. 10 & 41)
Type 2,3

2. Carburetor - A small number of units were equipped with carburetor model WT-307 in early 1995. Use replacement and repair kits for carburetor model WT-379 (currently shown on page 2) to service the WT-307.

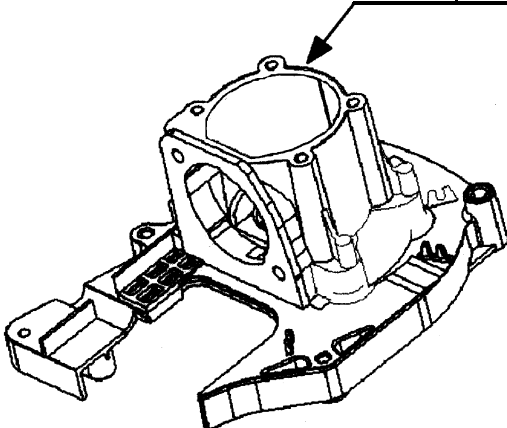
*****SERVICE REFERENCE #2*****

Note: When replacing item# 4 on TYPE 4, please note if the surface indicated by the arrow is flat or has a beveled edge and order accordingly.

(A) Flat Surface - 530-019181 Gasket

(B) Beveled surface - 530-054624 O-ring

A



B

